

ASSEMBLY INSTRUCTIONS

Description: Honey Coffee Table

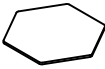
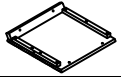
Important safety instructions:

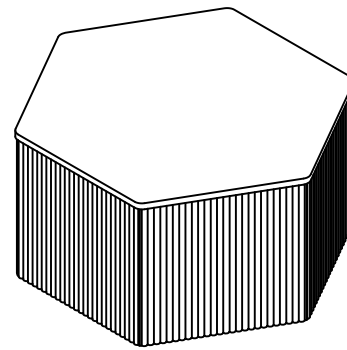
- Please read carefully all instructions before assembly.
- For your safety and ease, assembly by two or more adults is recommended.
- Keep instructions for future use.

Pre-assembly:

- Do not discard any content until assembly is complete to avoid accidentally discarding small parts or hardware.
- Take out all parts and hardware from box.





Parts List

Item	Description	QTY
P1	Table Top 	1
P2	Support Panels 	6



It will take approximately 10 minutes for two adults to assemble.

Hardware List





Item	Description	QTY
H1	Bolts $\phi 1/4"$ x 1-1/2"L 	18
H2	Lock Washers 1/4" 	18
H3	Flat Washers 1/4" 	18
H4	Allen Wrench 1/4" 	1

DISCLAIMER:

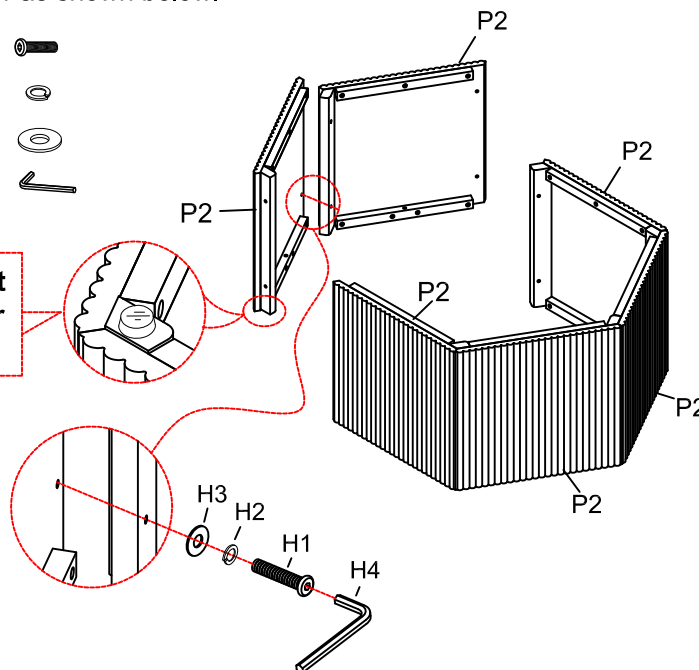
WHEN PROPERLY ASSEMBLED, THIS ITEM IS SAFE FOR INTENDED USE. SELLER IS NOT LIABLE FOR ANY DAMAGES RESULTING FROM ITEM BEING IMPROPERLY ASSEMBLED AFTER PURCHASE.

Assembly Procedures:





Step 1: Assemble the table on a flat, soft surface such as a carpet or cloth to prevent scratching the finish. Attach the support panels (P2) together as shown below.

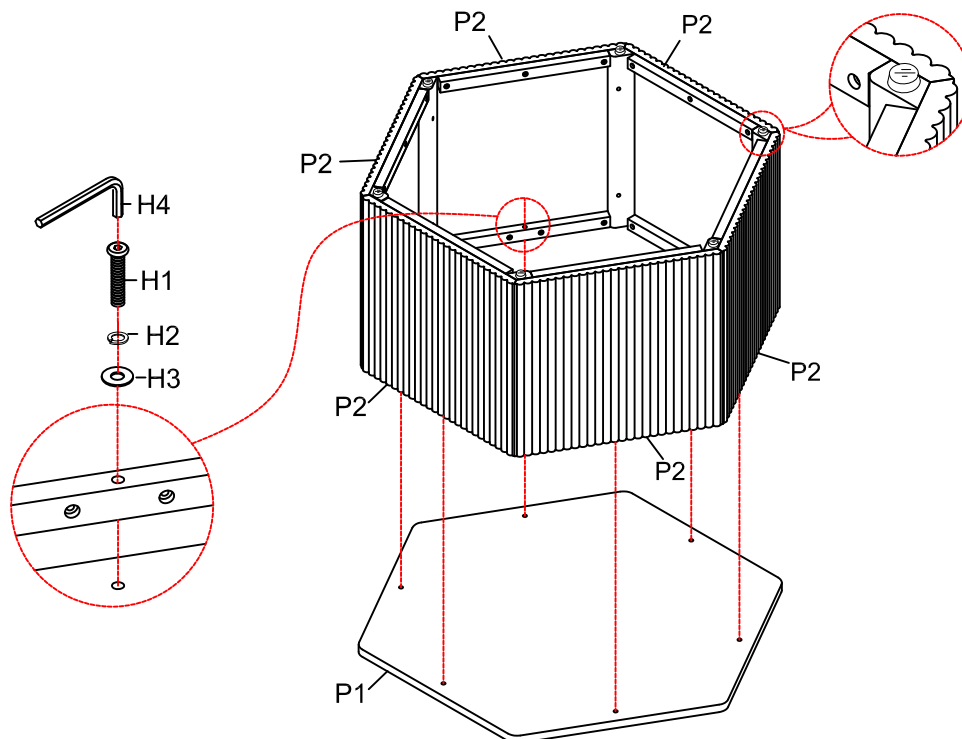
- (H1)x12 Bolts $\phi 1/4"$ x 1-1/2"L 
- (H2)x12 Lock Washers 1/4" 
- (H3)x12 Flat Washers 1/4" 
- (H4)x1 Allen Wrench 1/4" 

Note: the side of the support panel with adjustable leveler facing down



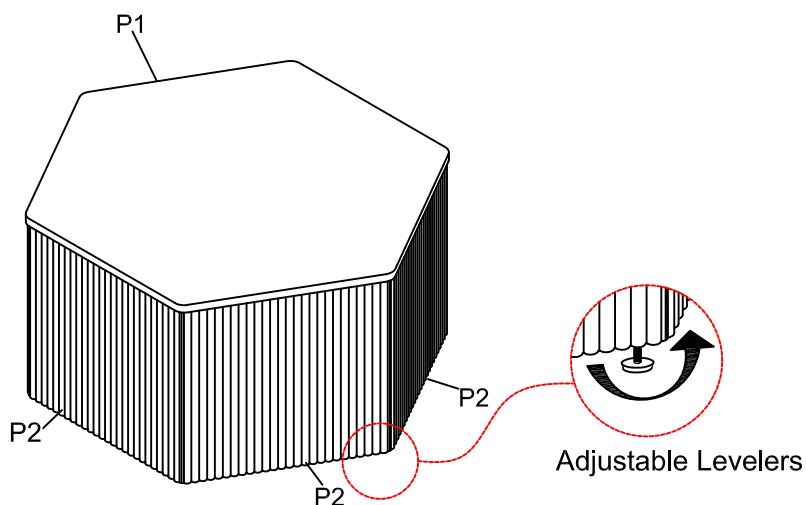
Step 2. Attach the assembled support panels (P2) to the bottom of top panel (P1) as shown below.

- | | | |
|--------|-----------------------------|---|
| (H1)x6 | Bolts $\phi 1/4"$ x 1-1/2"L |  |
| (H2)x6 | Lock Washers 1/4" |  |
| (H3)x6 | Flat Washers 1/4" |  |
| (H4)x1 | Allen Wrench 1/4" |  |



Step 3. Securely tighten all bolts with Allen wrench(H4), turn the assembled table to an upright position. Assembly is complete.

Leveler adjustment: Levelers are pre-installed on the bottom of support panels. Adjust as needed to make sure the table is leveled. **Failure to follow these instructions may cause the bolts to misalign during assembly.**



ADDITIONAL NOTE ABOUT SAFETY:

BOLTS MAY LOOSEN DURING NORMAL EVERYDAY USE.

THEY SHOULD BE INSPECTED AT LEAST EVERY 3 MONTHS AND RE-TIGHTENED AS NEEDED TO PREVENT DAMAGE OR INJURY, AND ENSURE STABILITY.

Thank you for your purchase